



Fill Your Night with SunLight



Beige



Sandstone



Gray Granite

SOLAR powered, high-efficiency area lighting is now available in elegant styling and rugged construction.

- Factory programmed electronics and long life storage cell are sealed in an attractive rotationally molded housing
- Low voltage, high efficiency LED fixture provides maximum work lighting
- High-Off-Low switch allows lumen adjustment from task lighting to mood lighting with a dusk-to-dawn capacity, or can be turned off completely
- LED attracts less insects than conventional incandescent bulbs
- Easy installation, low maintenance and long lifecycle are among the many standard features
- No electrician and no UL Listing required

Details and specifications on reverse

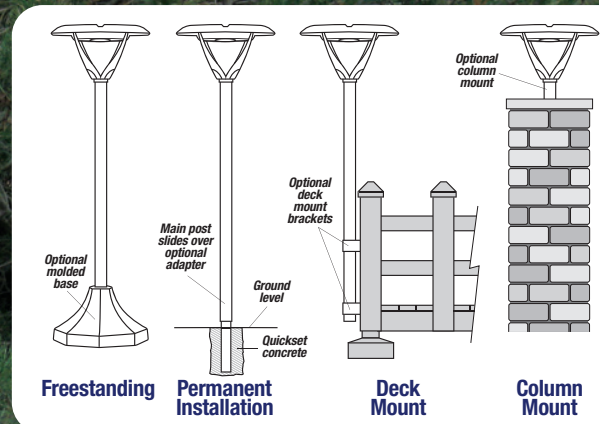


Byron Originals, Inc. • P.O. Box 279 • Ida Grove, IA 51445 • 712-364-3165 • 800-745-1472
www.byronoriginalsinc.com • www.SunLight180.com



SUNLIGHT 180

- Sleek design compliments a variety of architectural styles
- Variety of mounting methods



Shown with Leisure Locker II, also available from Byron Originals

The Core of the SunLight 180 System

Solar Panel: Powerful multi-crystalline photovoltaic array, 5x more powerful than most, maximizes light energy from the sun during the day to light your night.

Charge & Lighting Controller: The core of the SunLight 180 comes in the form of a highly intelligent state-of-the-art controller. It comes preprogrammed from the factory to ensure automatic dusk to dawn convenience.

This rugged, epoxy encapsulated controller features PCB charging with main, float, boost and equalization charging technology. It also provides low-voltage disconnect and temperature compensation capabilities to protect and optimize battery life.

LED Fixture: The key to the SunLight 180's light intensity is the 6 bright, epoxy encapsulated, light emitting diodes. These highly efficient diodes, rated at 50,000 hours and equivalent to a frosted 40 watt incandescent light bulb, ensure years of reliable service.

Combined with a high tech lens, this light source maximizes battery charge, thus providing not only more hours of illumination, but illumination at a level not offered by typical solar lights.

AGM Solar Battery: Long life, non-hazardous, durable, spill proof battery that is specifically designed for solar lighting.

Light Intensity Switch: Convenient, sealed, 3-way switch (High, Off, Low) that allows the user to select the desired light intensity.

Hardware: Stainless steel, pressure seal, and epoxy encapsulated components offer durability and corrosion prevention.

Support Post Construction: Powder coated aluminum.

Fixture Support Riser Construction: Durable glass filled, injection molded.

Durable Light Housing & Base: Consist of a tough, UV stabilized rotationally molded polyethylene, designed to withstand the rigors of extreme heat and cold and direct sunlight.

LED:

- High setting: equivalent to 40-watt halogen output
- Output of 450 lumens at less than 10 watts power
- Warm white lighting
- Wide 180-degree output
- Rated for 50,000 hours

AGM (Absorbed Glass Mat) Battery:

- Non-hazardous battery cannot spill
- No liquid to freeze or expand
- Minimal self-discharge of 1-3% per month
- Long life
- Components epoxy encapsulated to prevent corrosion

Specifications:

Height: 7 ½ feet (with post and base)

Shipping Weight (no ballast): 40 lbs.

Operational Weight (with water ballast): 80 lbs.

Other quality products from Byron Originals include:



Byron Originals, Inc. • P.O. Box 279 • Ida Grove, IA 51445 • 712-364-3165 • 800-745-1472
www.byronoriginalsinc.com • www.SunLight180.com